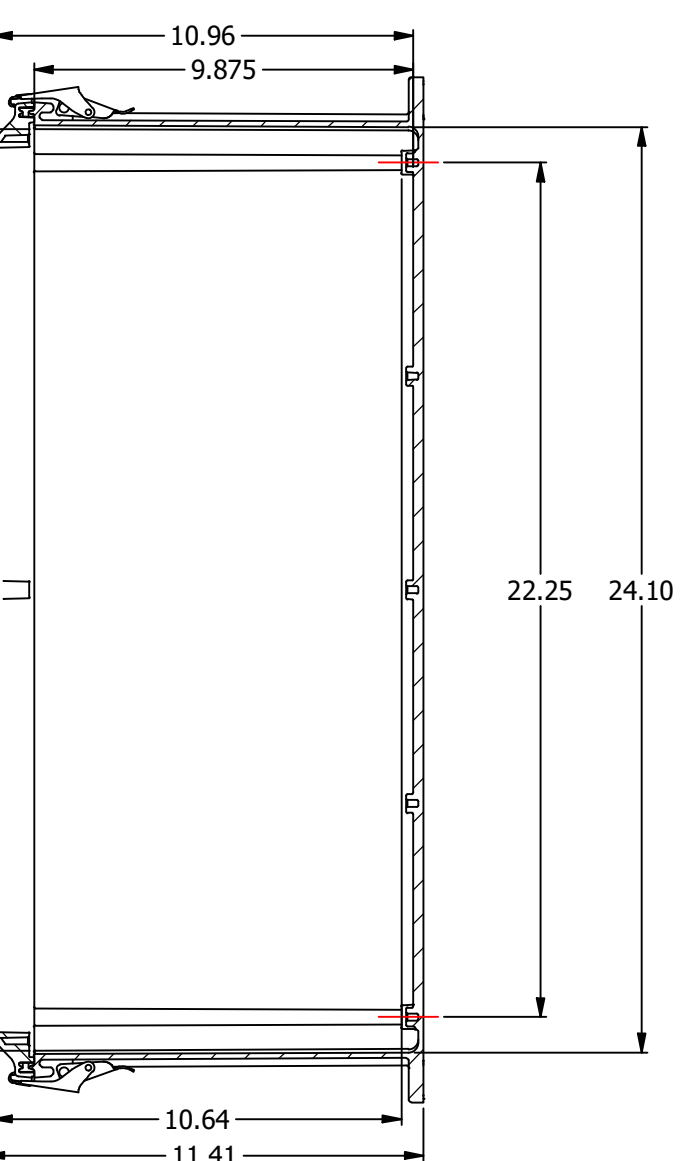
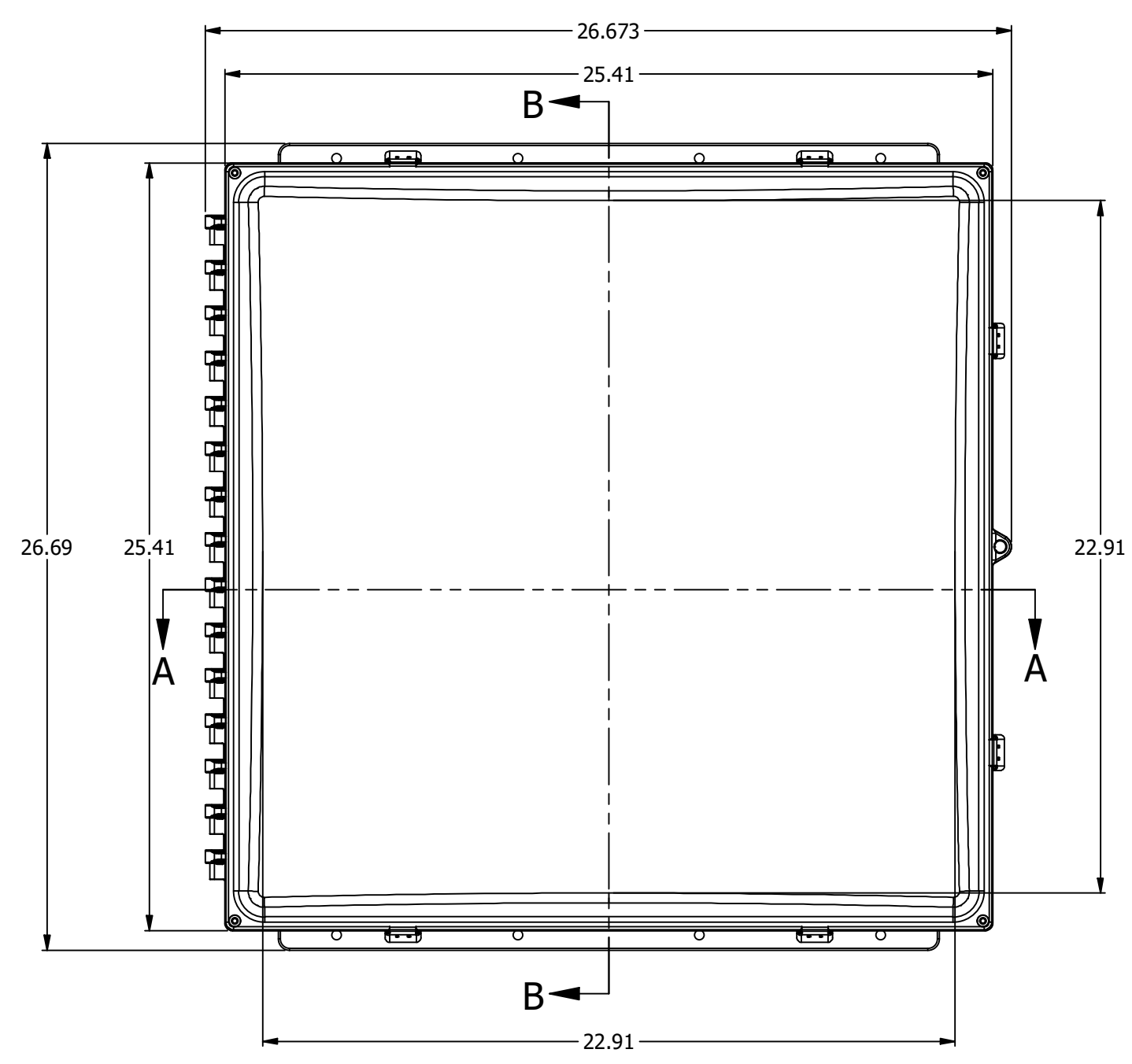
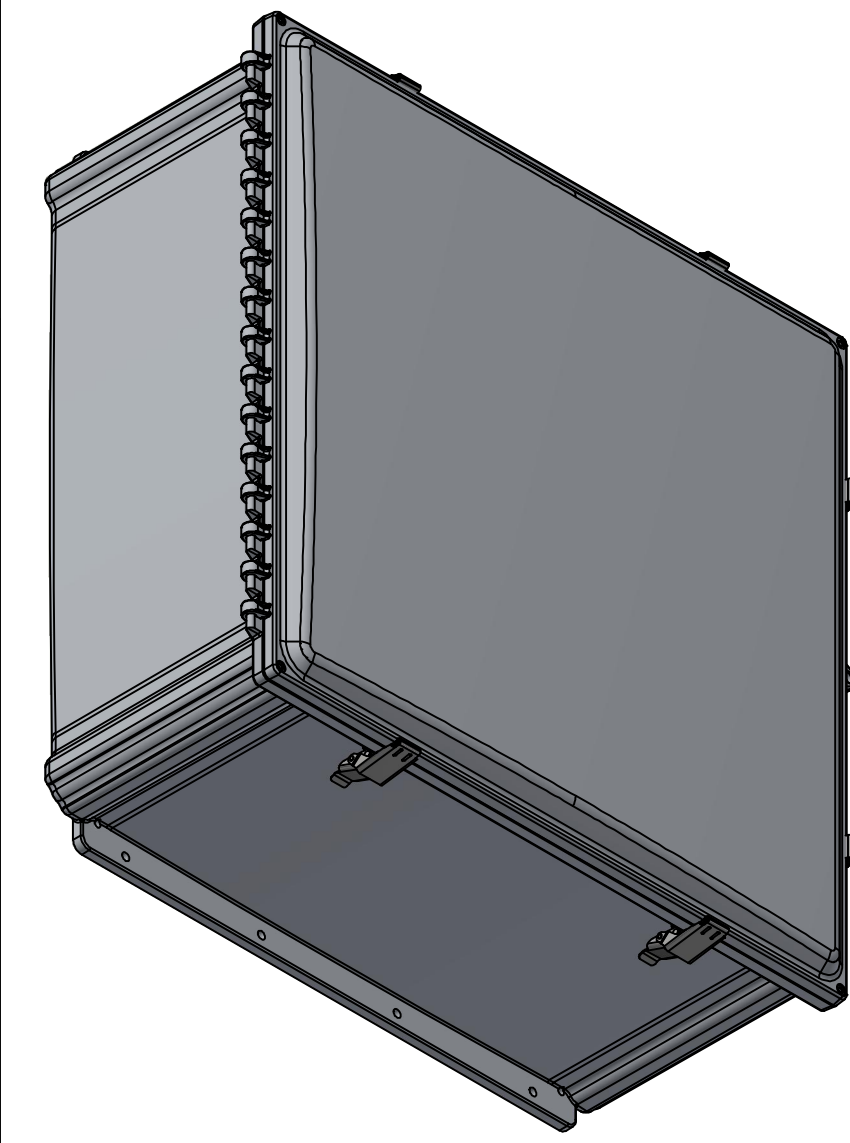
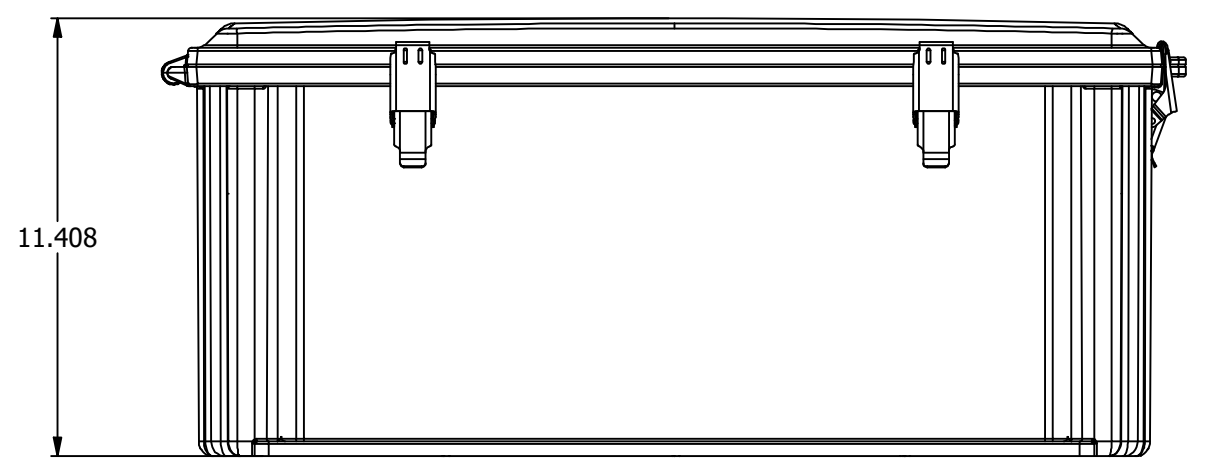
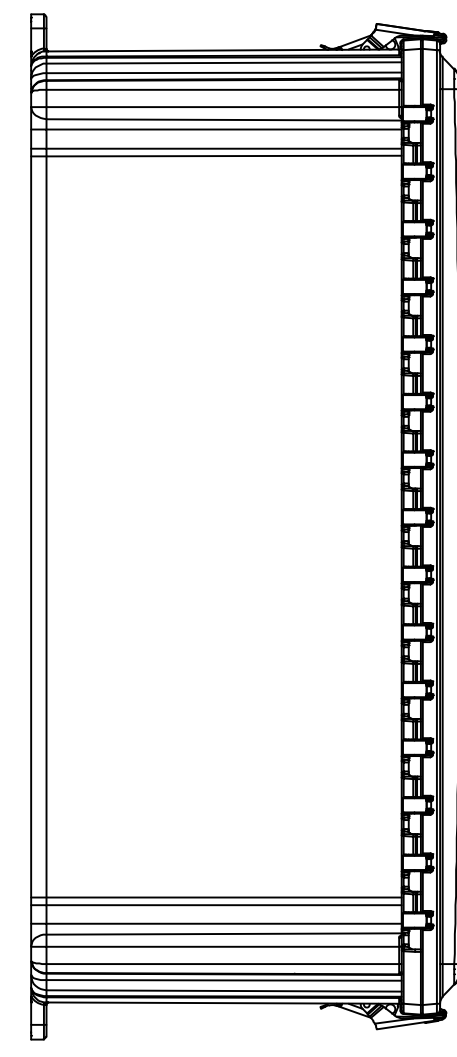
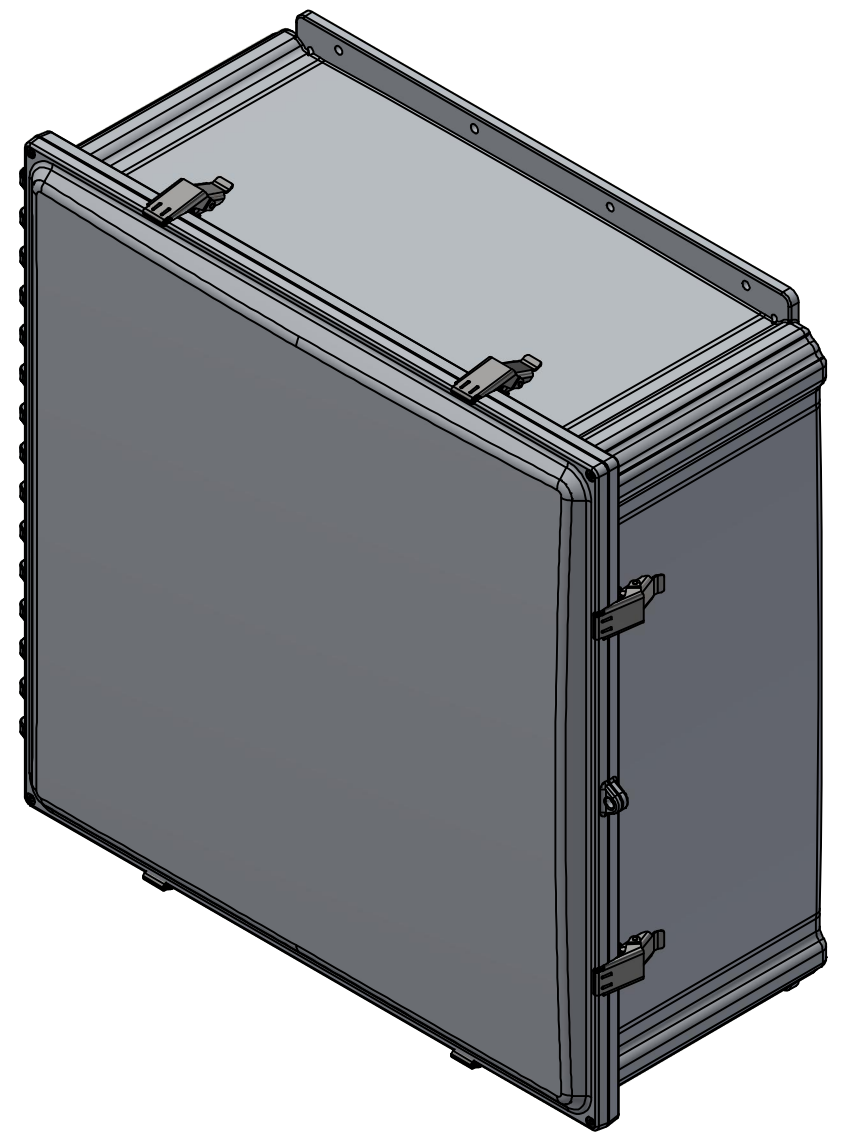
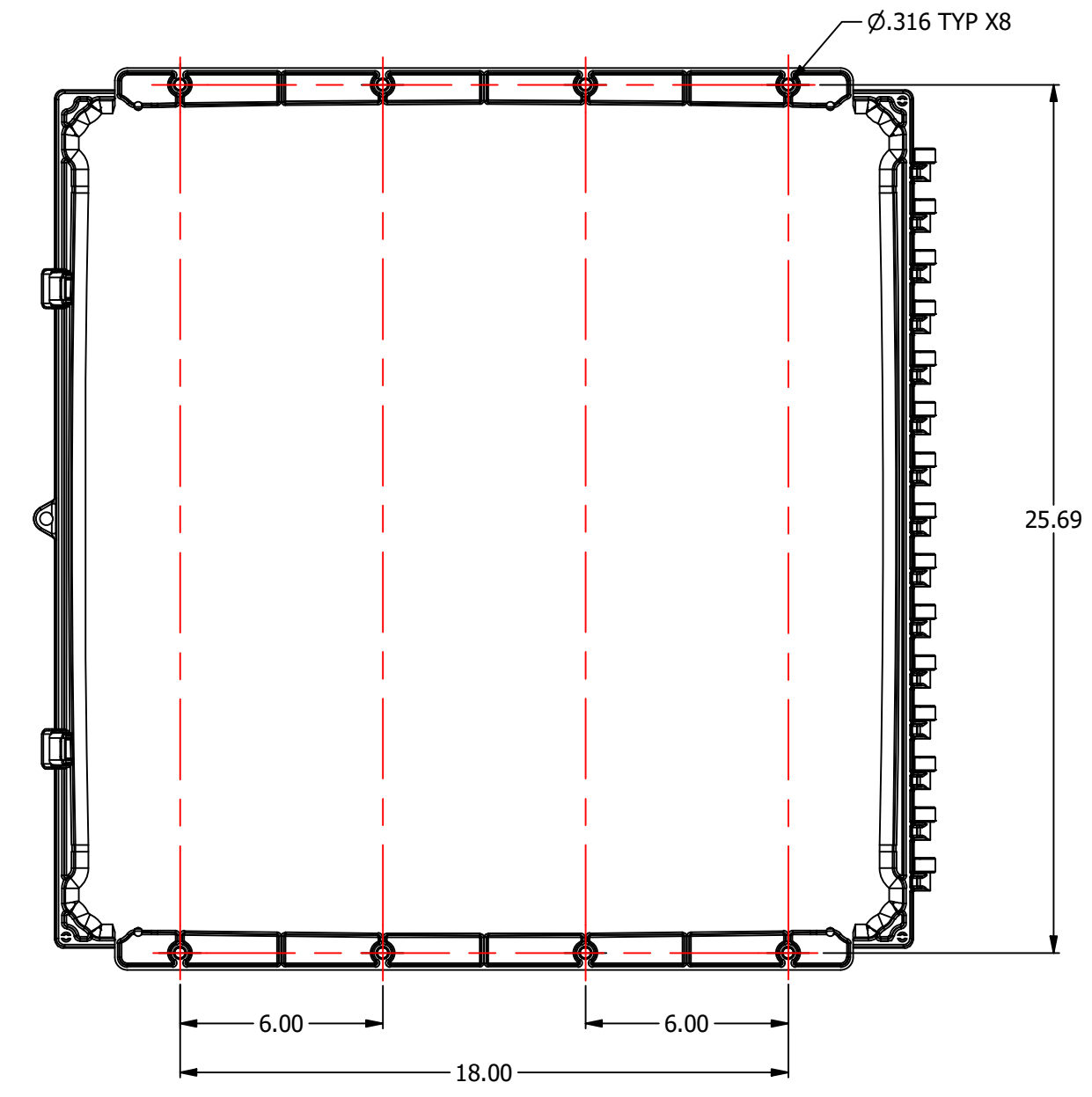


SECTION A-A



SECTION B-B

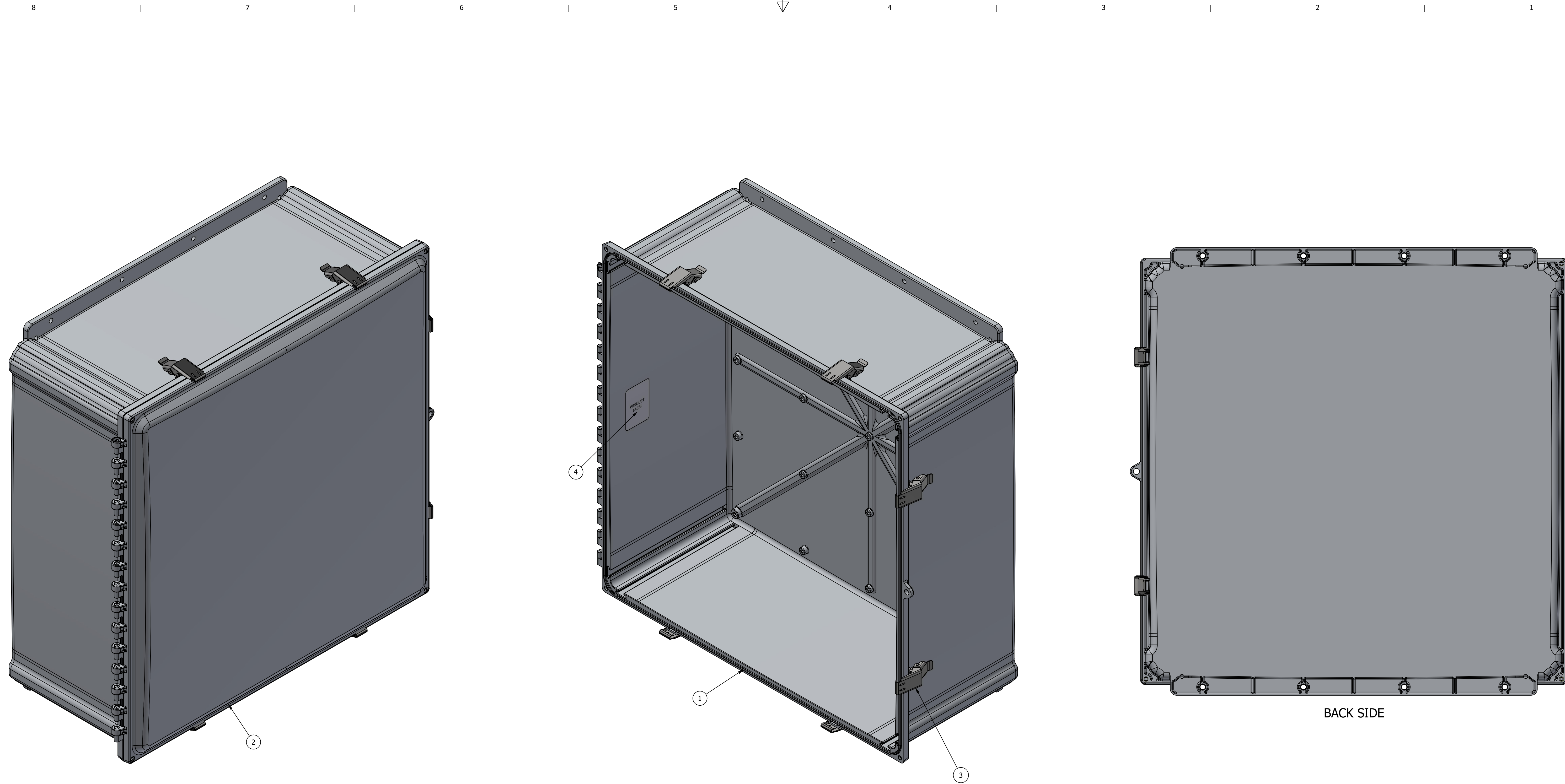


THE INFORMATION CONTAINED IN THIS DRAWING IS THE SOLE PROPERTY OF ROBROY INDUSTRIES. ANY REPRODUCTION IN PART OR WHOLE WITHOUT THE WRITTEN PERMISSION OF ROBROY INDUSTRIES IS PROHIBITED. ALL RIGHTS RESERVED UNDER THE COPYRIGHT LAWS. COPYRIGHT © 2008, ROBROY INDUSTRIES. ROBROY INDUSTRIES VALUES AND PROTECTS ITS INTELLECTUAL PROPERTY. FOR MORE INFORMATION VISIT www.robroy.com/patents

SPECIAL REQUIREMENTS
ASSEMBLY:
 1. SHPCACCKITNOFT SHALL BE PACKAGED LOOSELY IN ENCLOSURE
 2. PLACE STYROFOAM SHEET OVER ENTIRE COVER

NEMA 20 TYPE 1, 3R, 4, 4X, 12		IEC 60529 IP66	STANDARD FIN: PC2424SS	ALL DIMENSIONS ARE IN INCHES UNLESS OTHERWISE SPECIFIED		TOLERANCES UNLESS SPECIFIED		XX ± 0.03	XXX ± 0.010												
COLOR: GRAY POLYCARBONATE		COLOR STANDARD: PANTONE 7541 C	CUSTOMER DWG:																		
MATERIAL: POLYCARBONATE																					
<table border="1"> <thead> <tr> <th colspan="4">REVISION HISTORY</th> </tr> <tr> <th>REV</th> <th>DESCRIPTION</th> <th>DATE</th> <th>ENG</th> </tr> </thead> <tbody> <tr> <td>1</td> <td>-</td> <td>-</td> <td>-</td> </tr> </tbody> </table>										REVISION HISTORY				REV	DESCRIPTION	DATE	ENG	1	-	-	-
REVISION HISTORY																					
REV	DESCRIPTION	DATE	ENG																		
1	-	-	-																		
DRAWN BY: JWH		DATE: 1/21/26		CUSTOMER:		DRAWING: PC2424SS															
SCALE: DO NOT SCALE		DESCRIPTION: STANDARD ENCLOSURE		PART NUMBER: PC2424SS																	

Robroy Enclosures
 500 Maple Street
 Belding, Michigan 48809
 Phone: 616-794-0700
 Fax: 616-749-3378



BACK SIDE

PARTS LIST			
ITEM	QTY	PART NUMBER	DESCRIPTION
1	1	WP2424FLGHOLE	DRILLED FLANGE 24X24X10 POLYCARBONATE BOX
2	1	WPPC242410U	GASKETED 24X24 POLYCARBONATE COVER
3	6	RMLATPCMETAL	316 SS PC LATCH
4	1	RMLABBLANK3X2	100020 BLANK LABEL
5	1	RMLABBLANK4X3	100005 BLANK LABEL
6	1	SHPCACCKITNOFT	POLYCARBONATE ACCESSORY KIT NO FOOT
7	1	RMINSTGBL	GROUNDING INSTRUCTION SHEET
8	1	RMCTN25522	CARDBOARD BOX FOR PC2424

THE INFORMATION CONTAINED IN THIS DRAWING IS THE SOLE PROPERTY OF ROBROY INDUSTRIES. ANY REPRODUCTION IN PART OR WHOLE WITHOUT THE WRITTEN PERMISSION OF ROBROY INDUSTRIES IS PROHIBITED. ALL RIGHTS RESERVED UNDER THE COPYRIGHT LAWS. COPYRIGHT © 2008, ROBROY INDUSTRIES. ROBROY INDUSTRIES VALUES AND PROTECTS ITS INTELLECTUAL PROPERTY. FOR MORE INFORMATION VISIT www.robroy.com/patents

SPECIAL REQUIREMENTS

NEEA 20 TYPE: 1, 3R, 4, 4X, 12	IEC 60529: IP66	STANDARD FIN: PC2424SS	ALL DIMENSIONS ARE IN INCHES UNLESS OTHERWISE SPECIFIED	TOLERANCES UNLESS SPECIFIED	XX ± 0.03	.XXX ± 0.010
COLOR: GRAY POLYCARBONATE	COLOR STANDARD: PANTONE 7541 C	CUSTOMER DWG:				
MATERIAL: POLYCARBONATE						
DRAWN BY: JWH	DATE: 1/21/26	CUSTOMER:	DRAWING: PC2424SS			
SCALE: DO NOT SCALE	DESCRIPTION: STANDARD ENCLOSURE	PART NUMBER: PC2424SS				

Robroy Enclosures
 500 Maple Street
 Belding, Michigan 48809
 Phone: 616-794-0700
 Fax: 616-749-3378