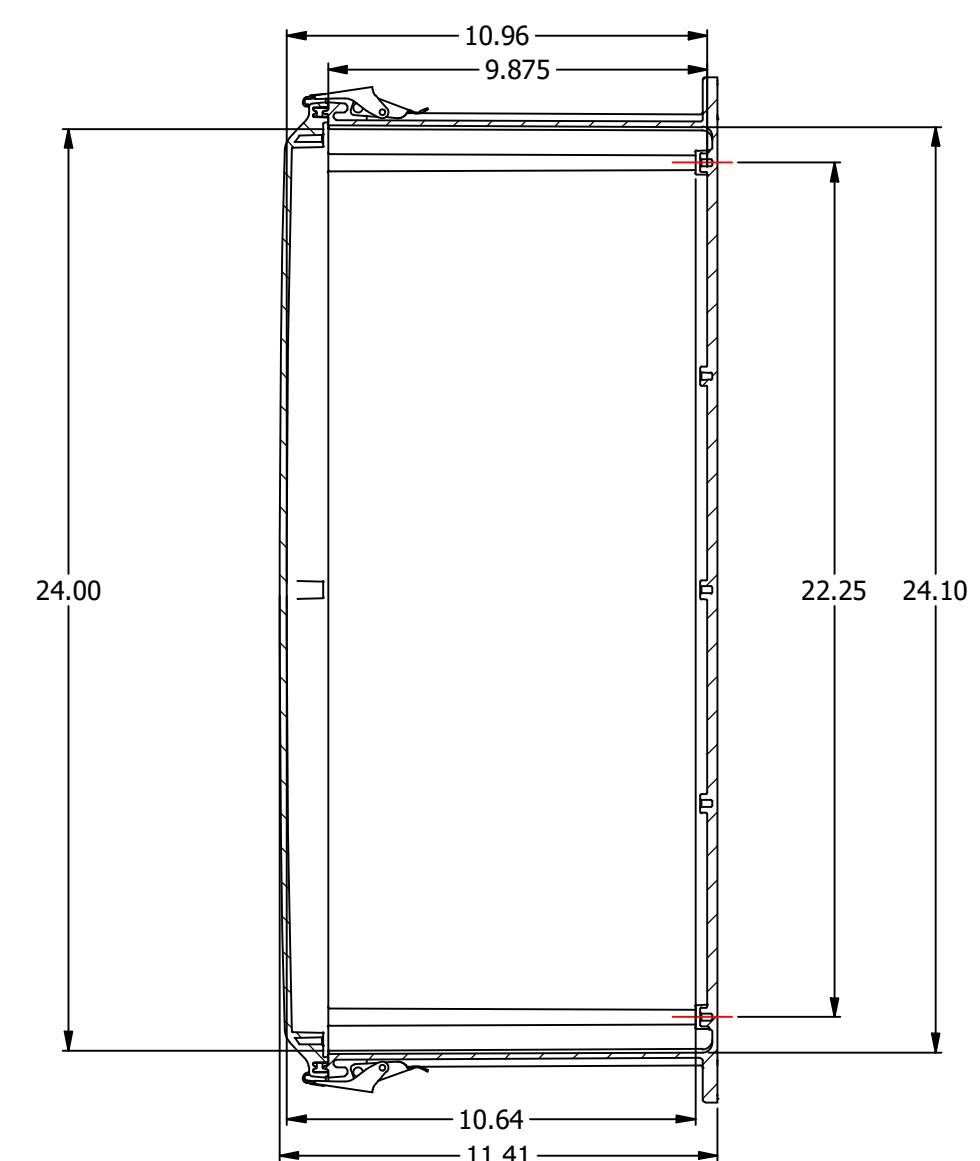
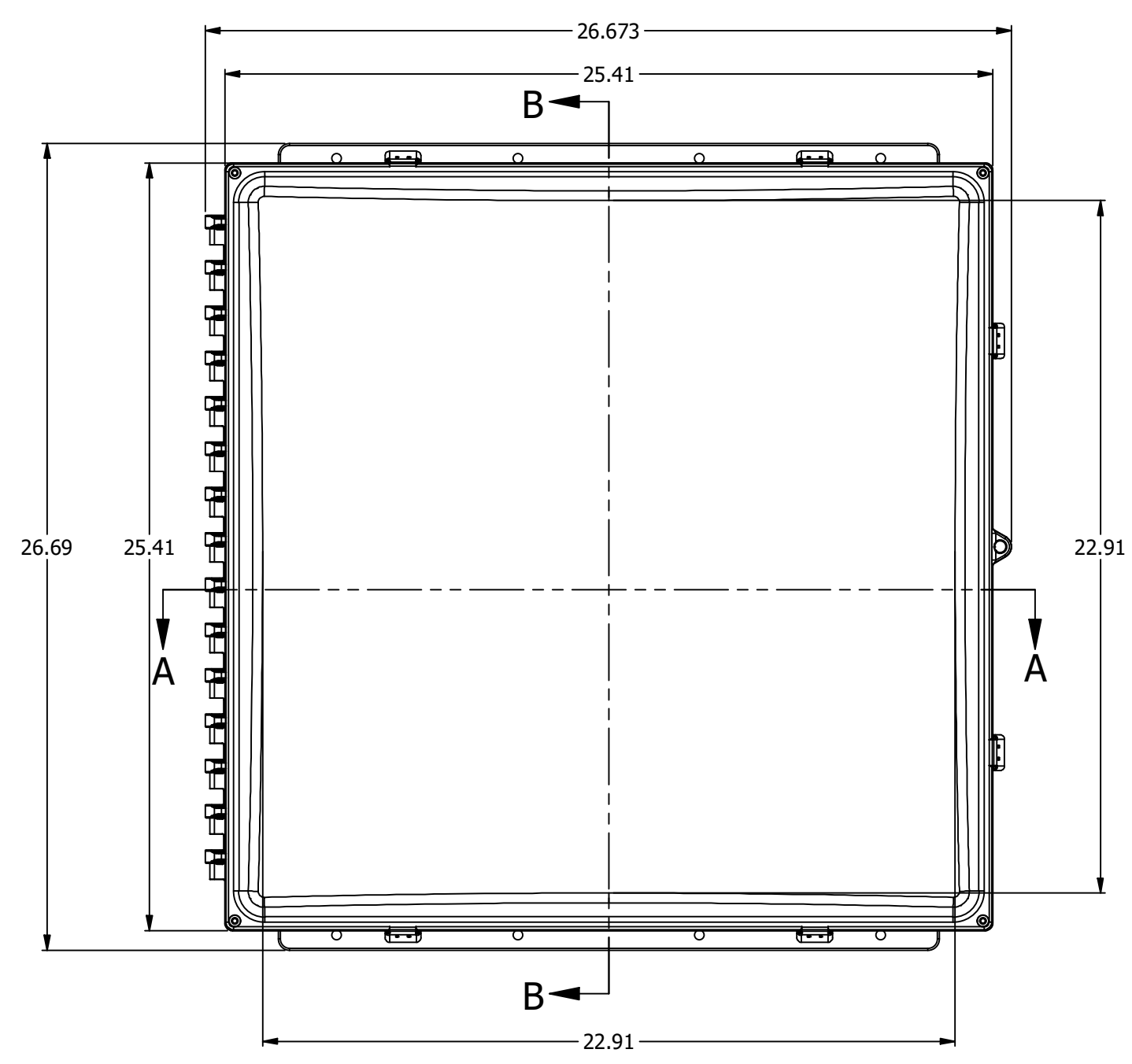
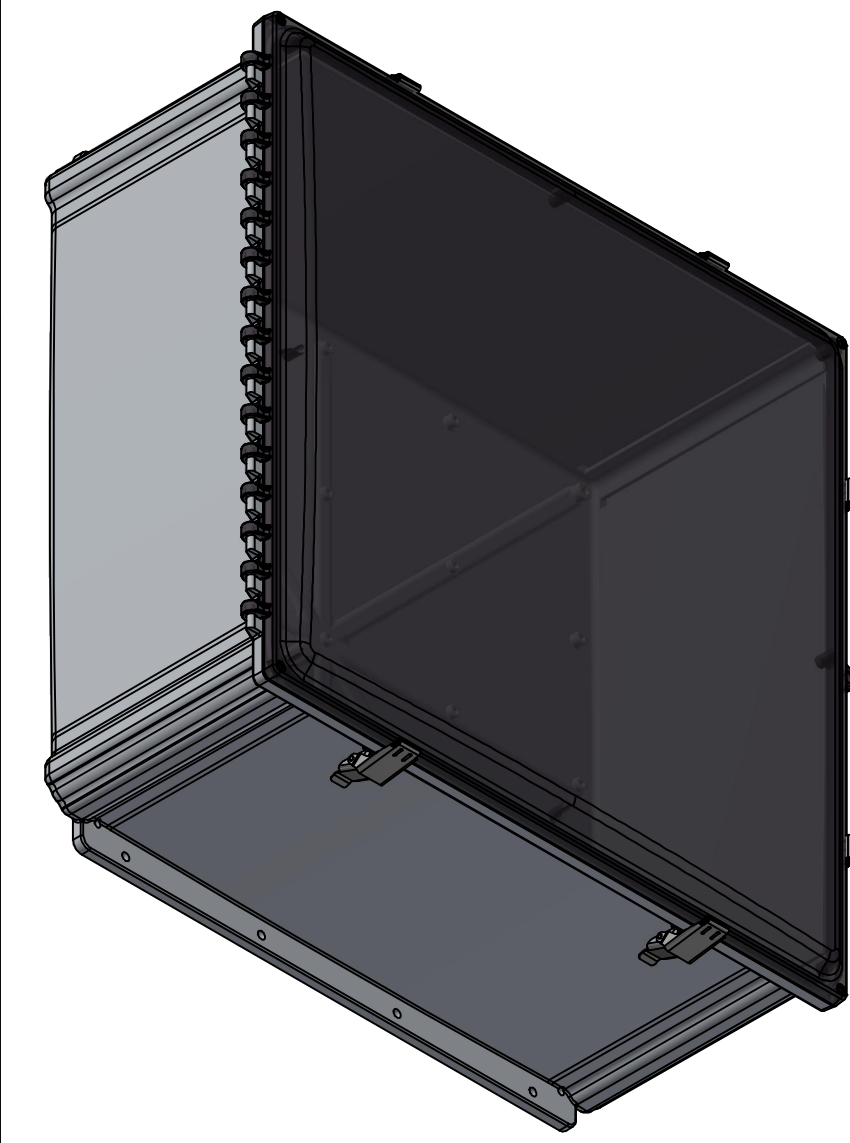
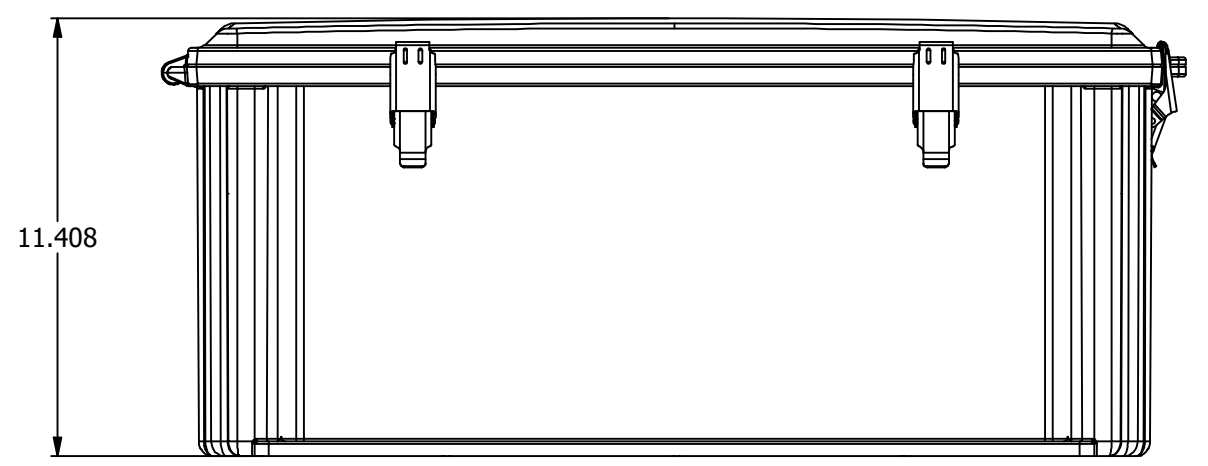
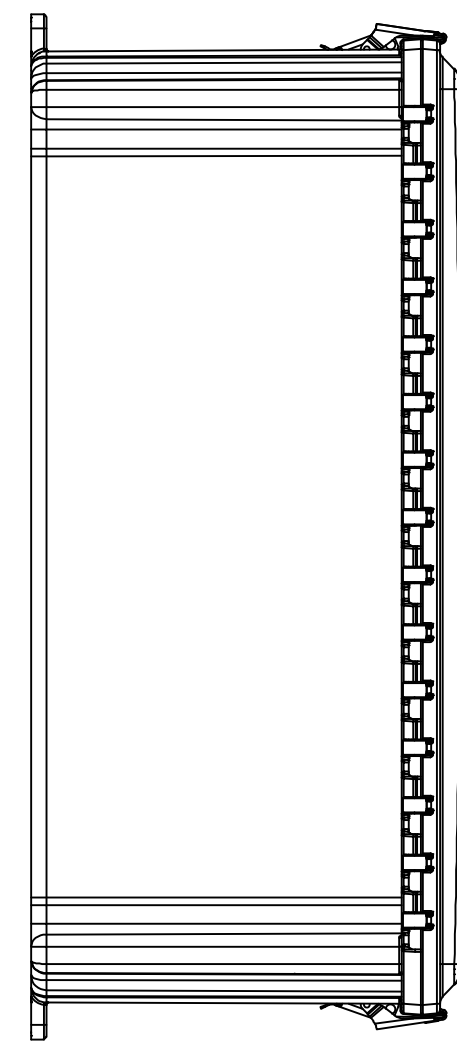
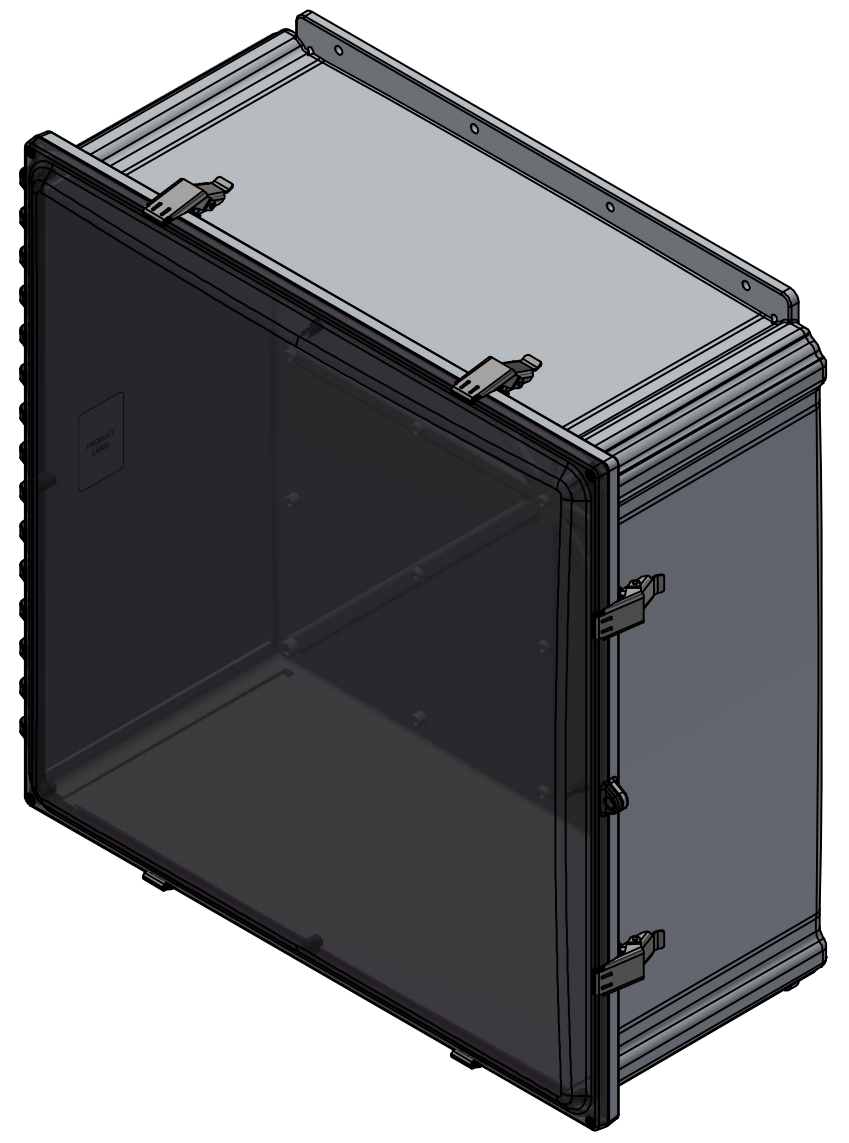
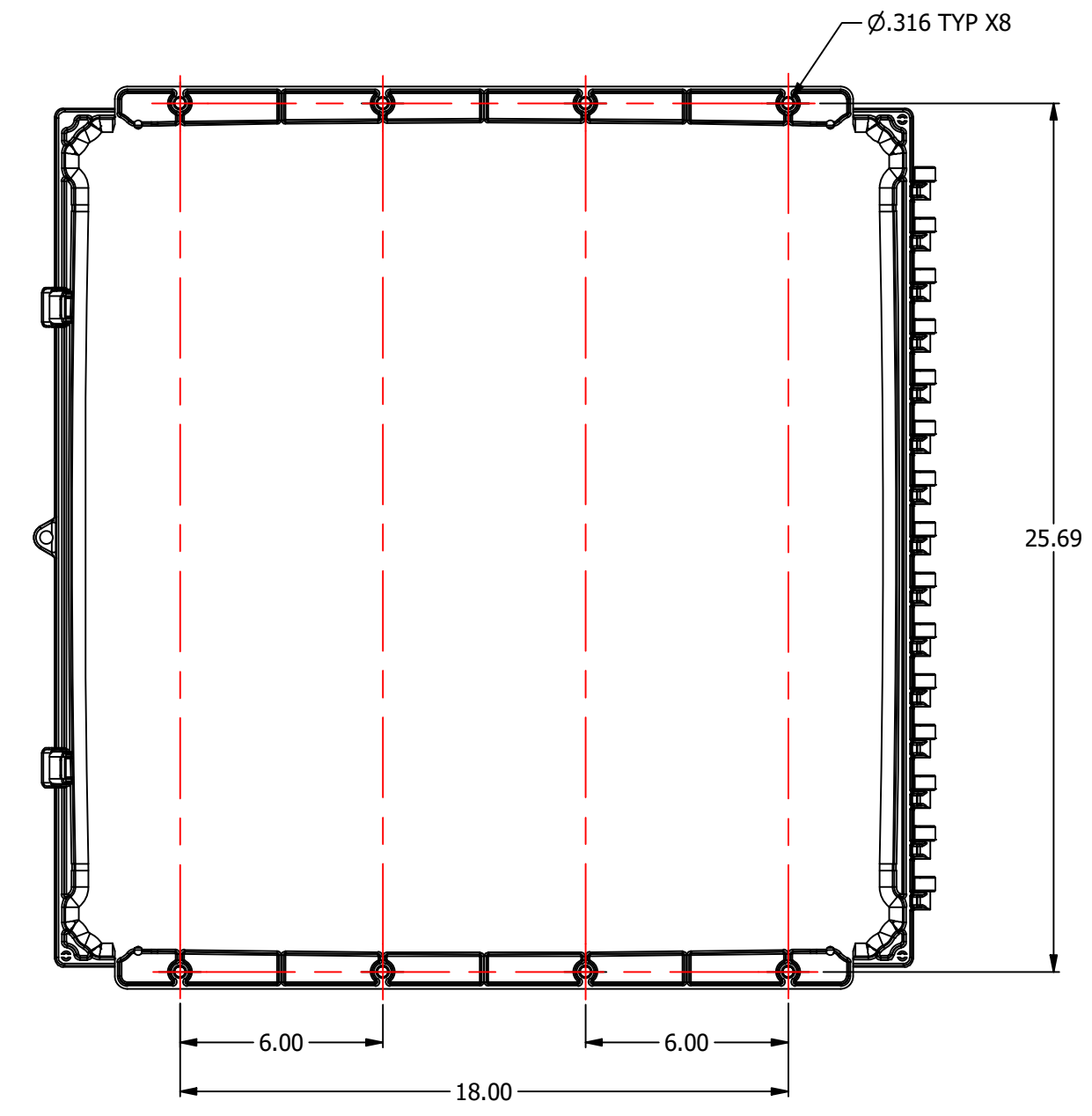


SECTION A-A



SECTION B-B

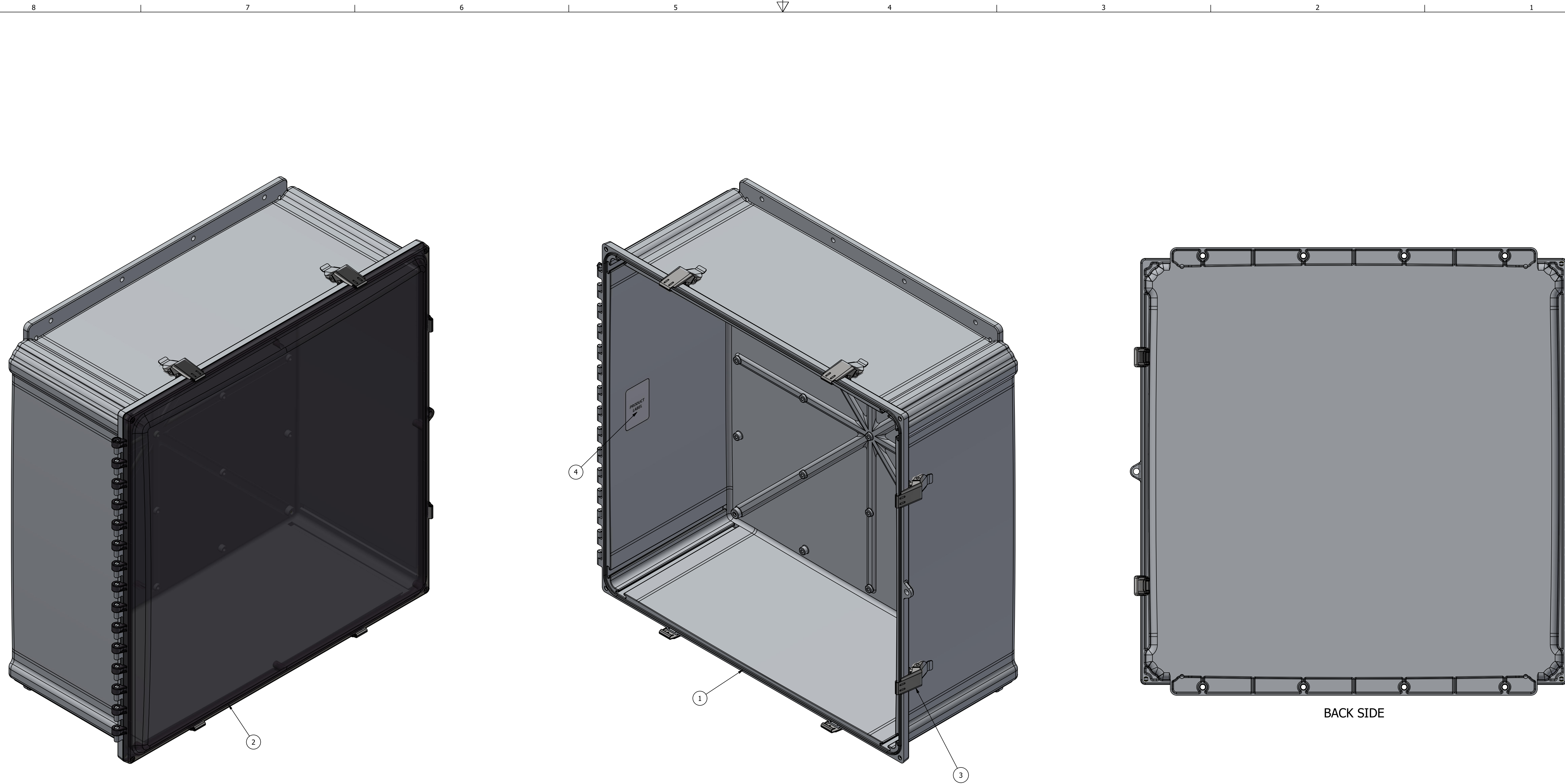


THE INFORMATION CONTAINED IN THIS DRAWING IS THE SOLE PROPERTY OF ROBROY INDUSTRIES. ANY REPRODUCTION IN PART OR WHOLE WITHOUT THE WRITTEN PERMISSION OF ROBROY INDUSTRIES IS PROHIBITED. ALL RIGHTS RESERVED UNDER THE COPYRIGHT LAWS. COPYRIGHT © 2005, ROBROY INDUSTRIES. ROBROY INDUSTRIES VALUES AND PROTECTS ITS INTELLECTUAL PROPERTY. FOR MORE INFORMATION VISIT www.robroy.com/patents

SPECIAL REQUIREMENTS
ASSEMBLY:
 1. SHPCACKITNOFT SHALL BE PACKAGED LOOSELY IN ENCLOSURE

NEEA 201 TYPE	1, 3R, 4, 4X, 12	IEC 60529	IP66	STANDARD FIN	PC2424CCSS
COLOR	GRAY POLYCARBONATE	COLOR STANDARD	PANTONE 7541 C	CUSTOMER DWG.	
MATERIAL	POLYCARBONATE				
REVISION HISTORY					
REV	DESCRIPTION	DATE	ENG		
1					

ALL DIMENSIONS ARE IN INCHES UNLESS OTHERWISE SPECIFIED			TOLERANCES UNLESS SPECIFIED		
XX	± 0.03	XXX	± 0.010		
STAHLIN			A ROBROY ENCLOSURES™ BRAND		
Robroy Enclosures 500 Maple Street Belding, Michigan 48809 Phone: 616-794-0700 Fax: 616-749-3378					
DRAWN BY	DATE	CUSTOMER	DRAWING		
JWH	1/21/26		PC2424CCSS		
SCALE	DESCRIPTION	PART NUMBER			
DO NOT SCALE	STANDARD ENCLOSURE	PC2424CCSS			



BACK SIDE

PARTS LIST			
ITEM	QTY	PART NUMBER	DESCRIPTION
1	1	WP2424FLGHOLE	DRILLED FLANGE 24X24X10 POLYCARBONATE BOX
2	1	WPPC242410U	GASKETED 24X24 POLYCARBONATE COVER
3	6	RMLATPCMETAL	316 SS PC LATCH
4	1	RMLABBLANK3X2	100020 BLANK LABEL
5	1	RMLABBLANK4X3	100005 BLANK LABEL
6	1	SHPCACCKITNOFT	POLYCARBONATE ACCESSORY KIT NO FOOT
7	1	RMINSTGBL	GROUNDING INSTRUCTION SHEET
8	1	RMCTN25522	CARDBOARD BOX FOR PC2424

THE INFORMATION CONTAINED IN THIS DRAWING IS THE SOLE PROPERTY OF ROBROY INDUSTRIES. ANY REPRODUCTION IN PART OR WHOLE WITHOUT THE WRITTEN PERMISSION OF ROBROY INDUSTRIES IS PROHIBITED. ALL RIGHTS RESERVED UNDER THE COPYRIGHT LAWS. COPYRIGHT © 2008, ROBROY INDUSTRIES. ROBROY INDUSTRIES VALUES AND PROTECTS ITS INTELLECTUAL PROPERTY. FOR MORE INFORMATION VISIT www.robroy.com/patents

SPECIAL REQUIREMENTS

NEMA IEC TYPE: 1, 3R, 4, 4X, 12	IEC 60529: IP66	STANDARD FIN: PC2424CCSS	ALL DIMENSIONS ARE IN INCHES UNLESS OTHERWISE SPECIFIED	TOLERANCES UNLESS SPECIFIED	XX ± 0.03	.XXX ± 0.010
COLOR: GRAY POLYCARBONATE	COLOR STANDARD: PANTONE 7541 C	CUSTOMER DWG:				
MATERIAL: POLYCARBONATE						
<small>Robroy Enclosures 500 Maple Street Belding, Michigan 48809 Phone: 616-794-0700 Fax: 616-749-3378</small>			DRAWN BY: JWH	DATE: 1/21/26	CUSTOMER:	DRAWING: PC2424CCSS
SCALE: DO NOT SCALE		DESCRIPTION: STANDARD ENCLOSURE		PART NUMBER: PC2424CCSS		