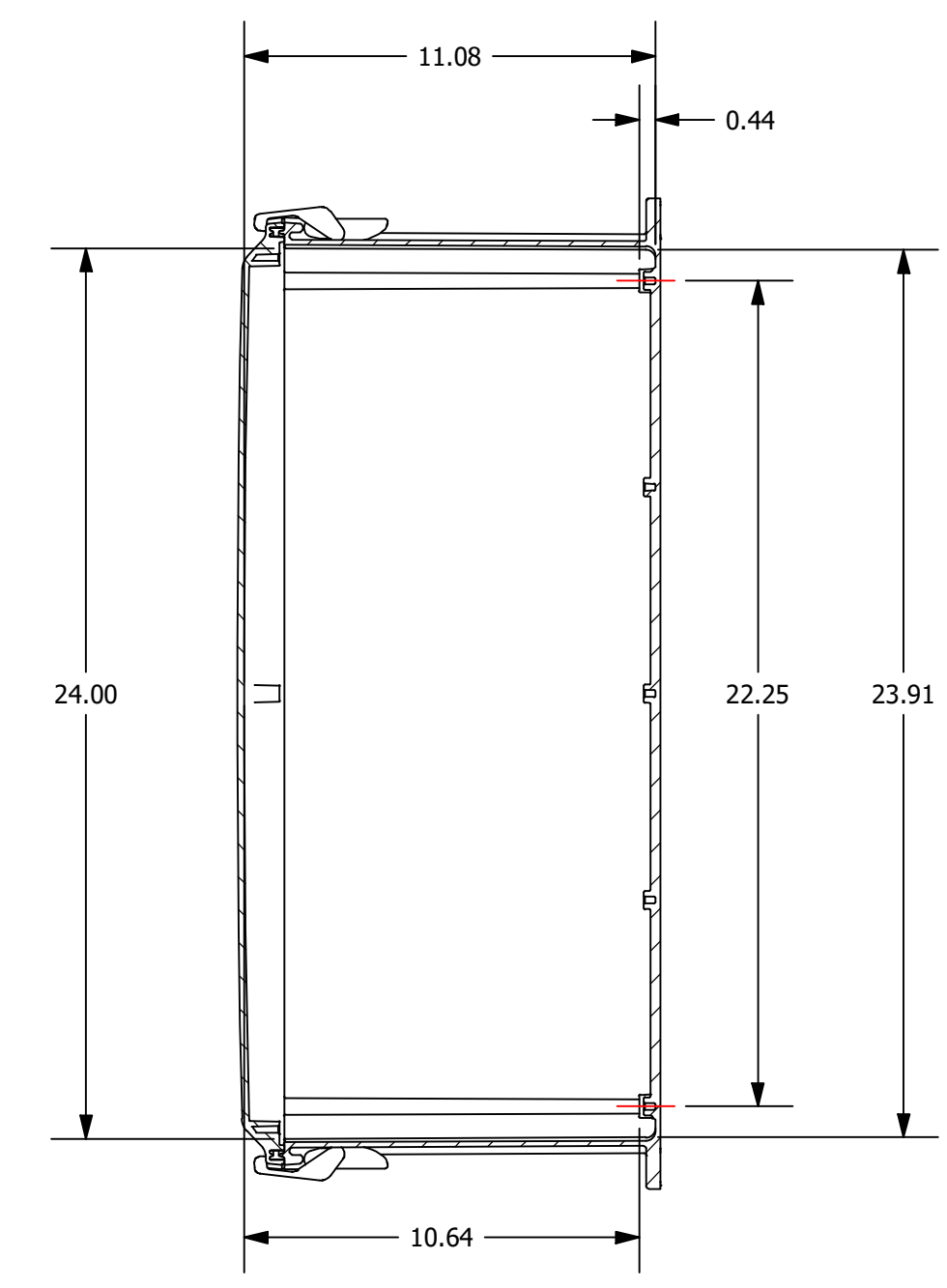
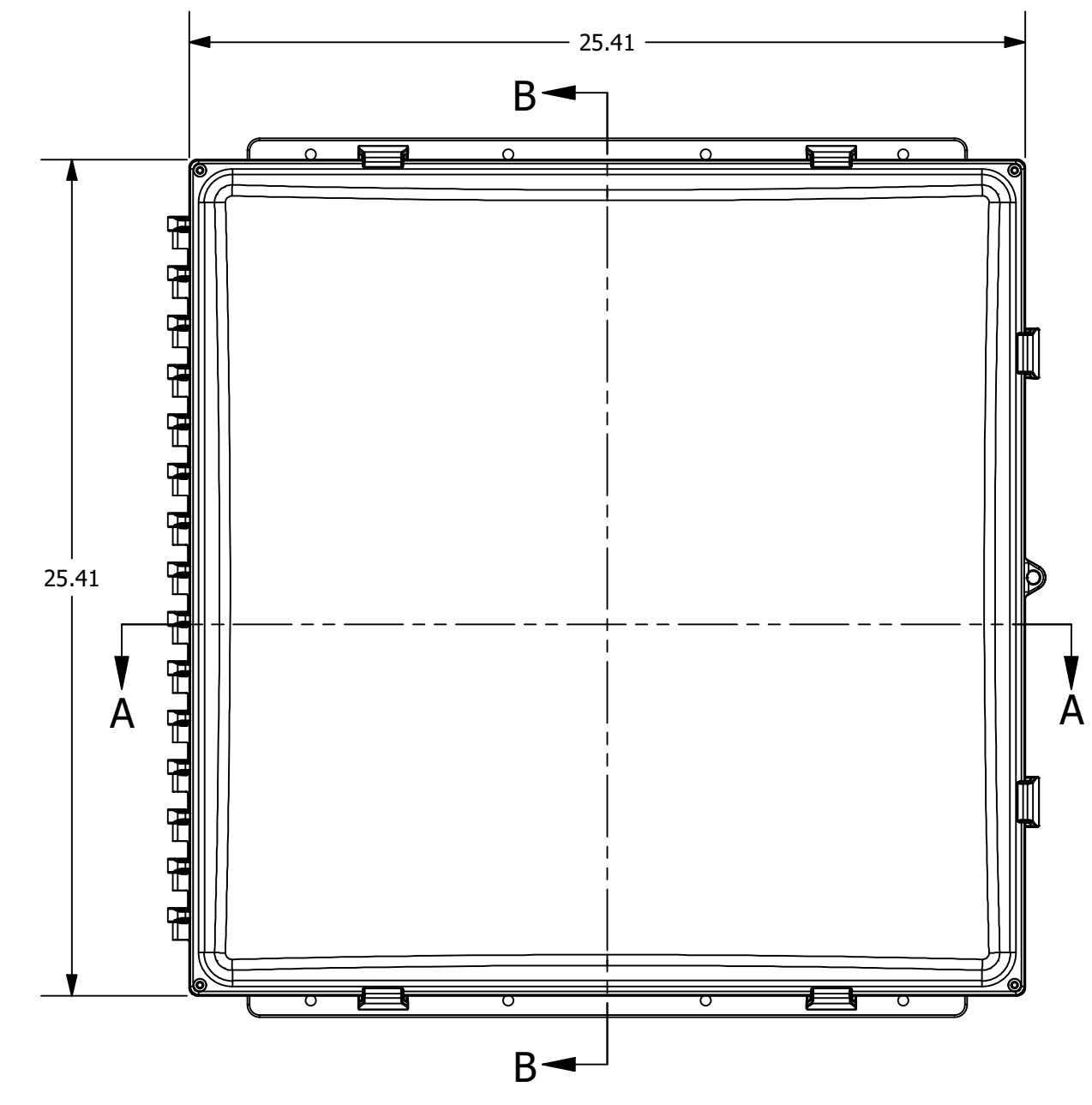
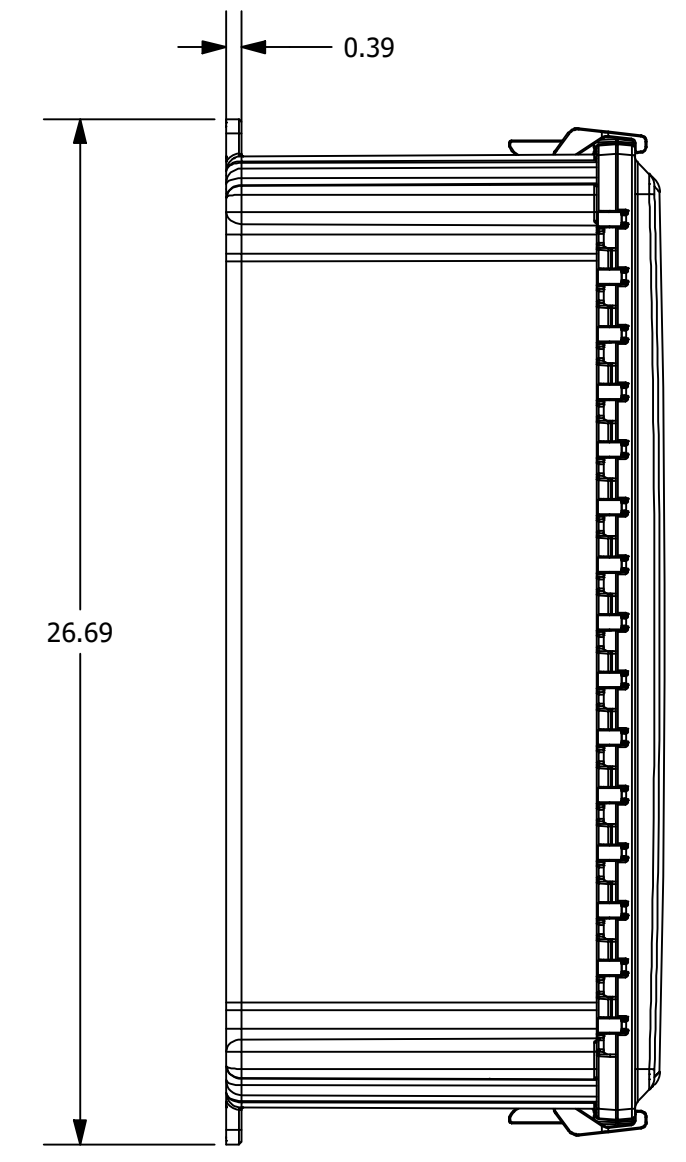
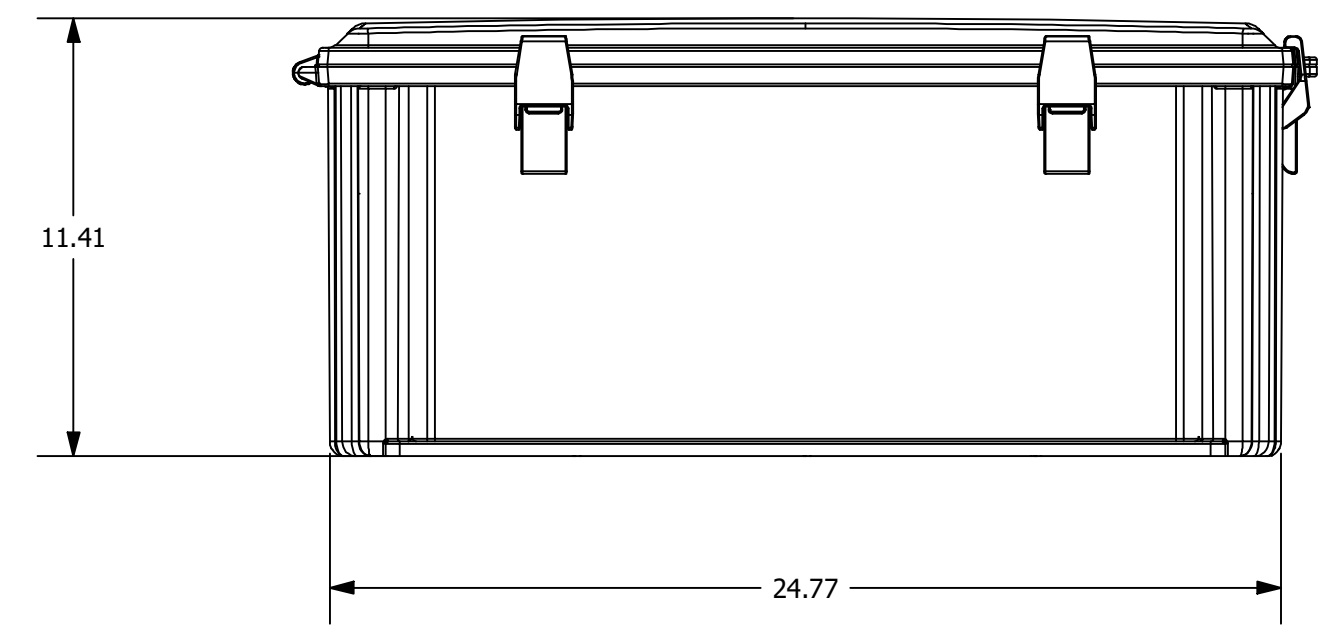
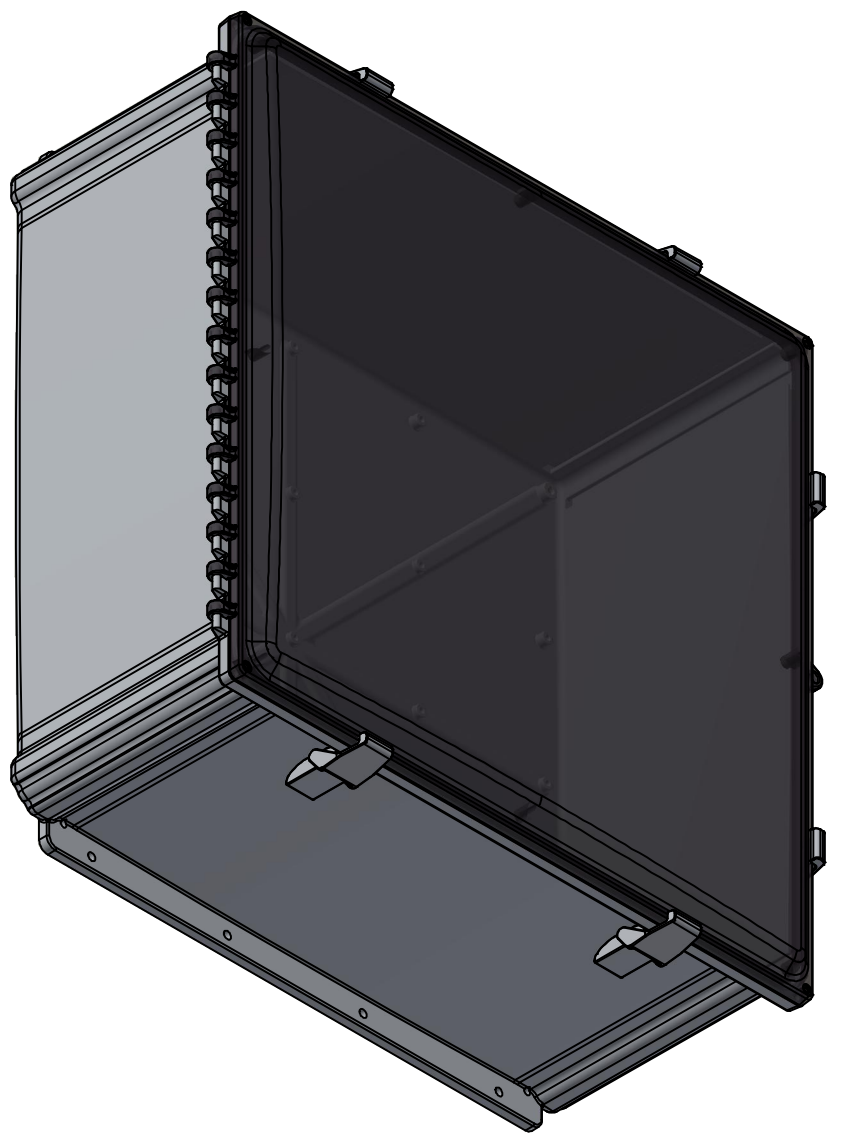
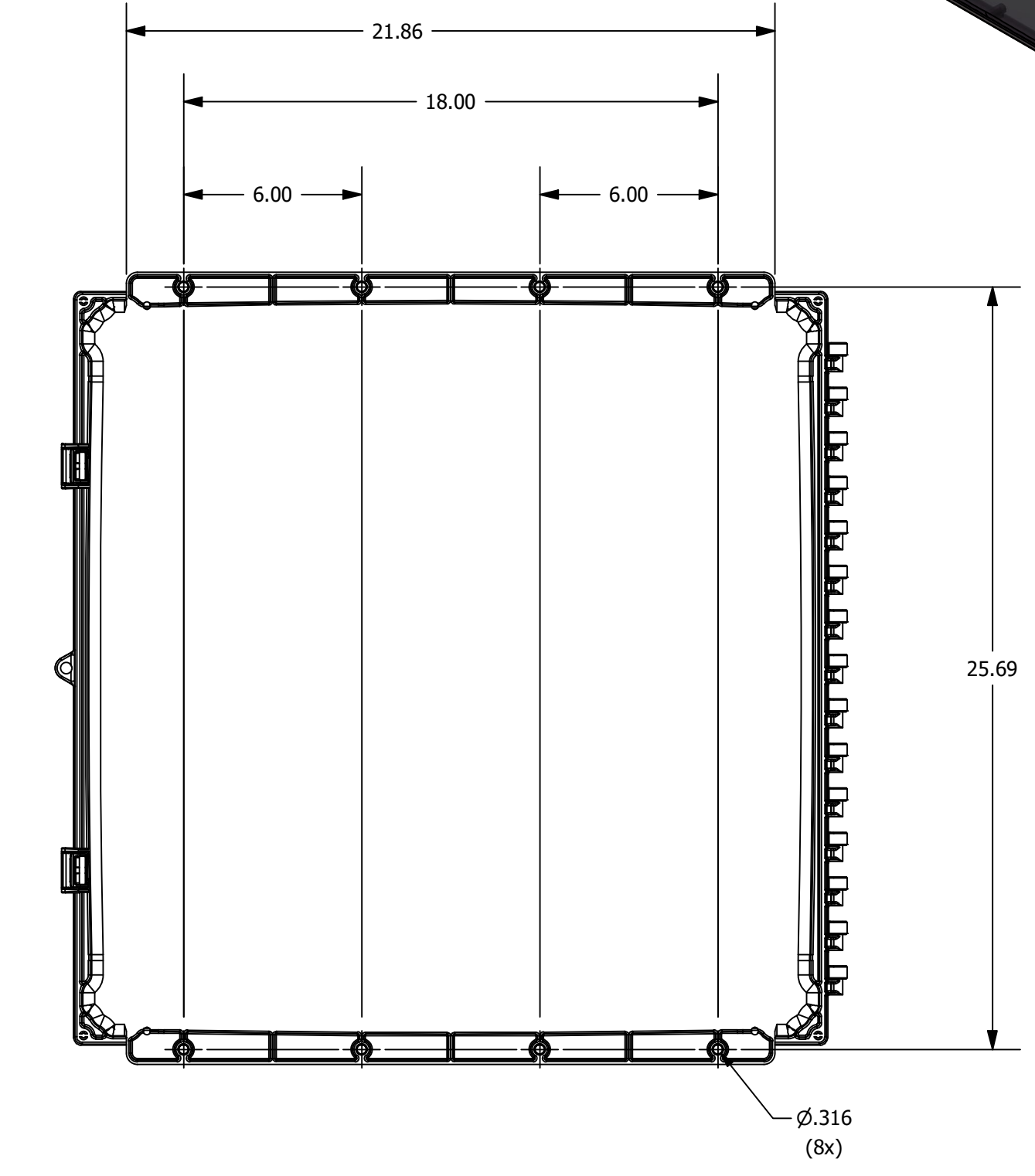


SECTION A-A



SECTION B-B



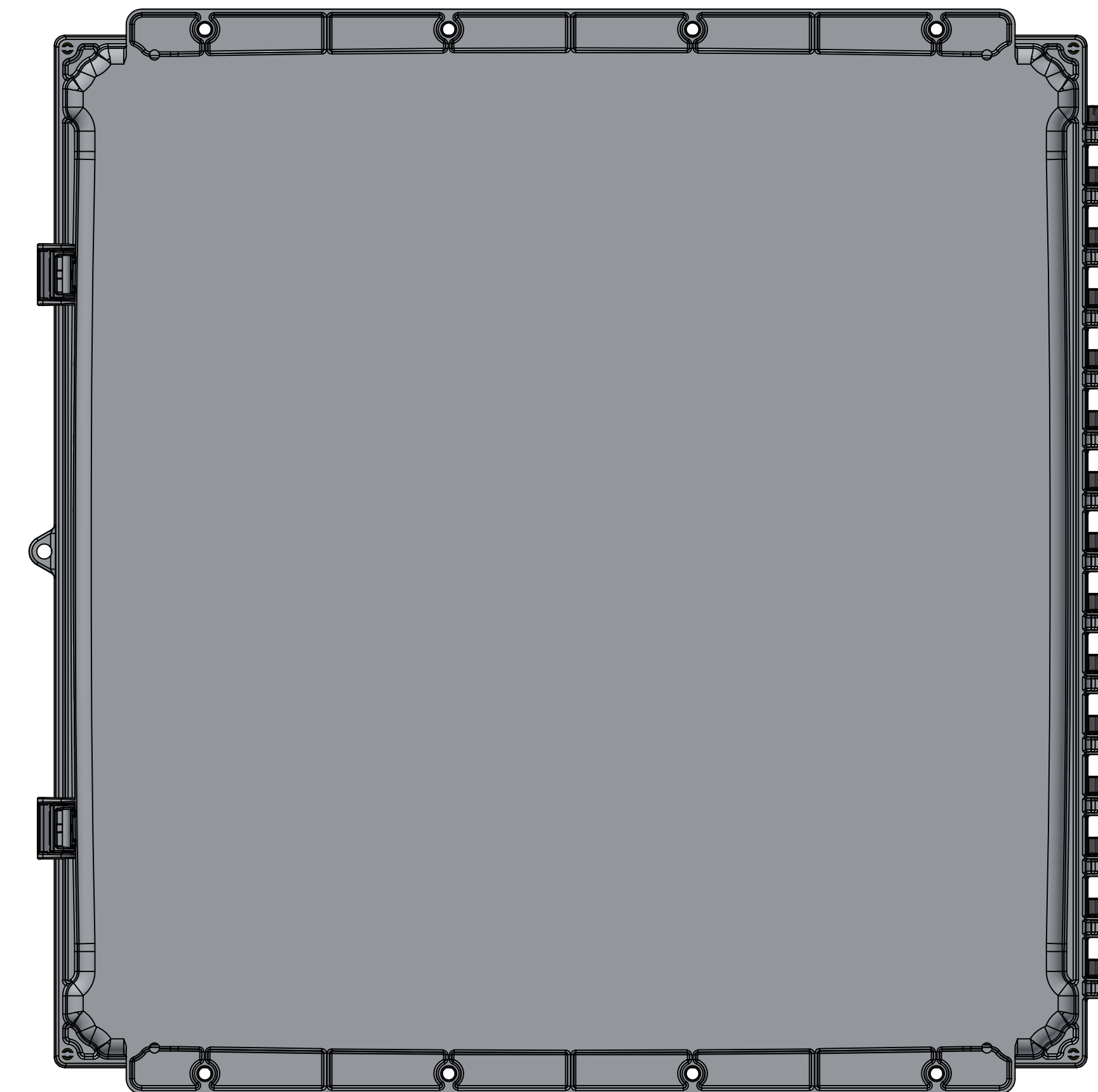
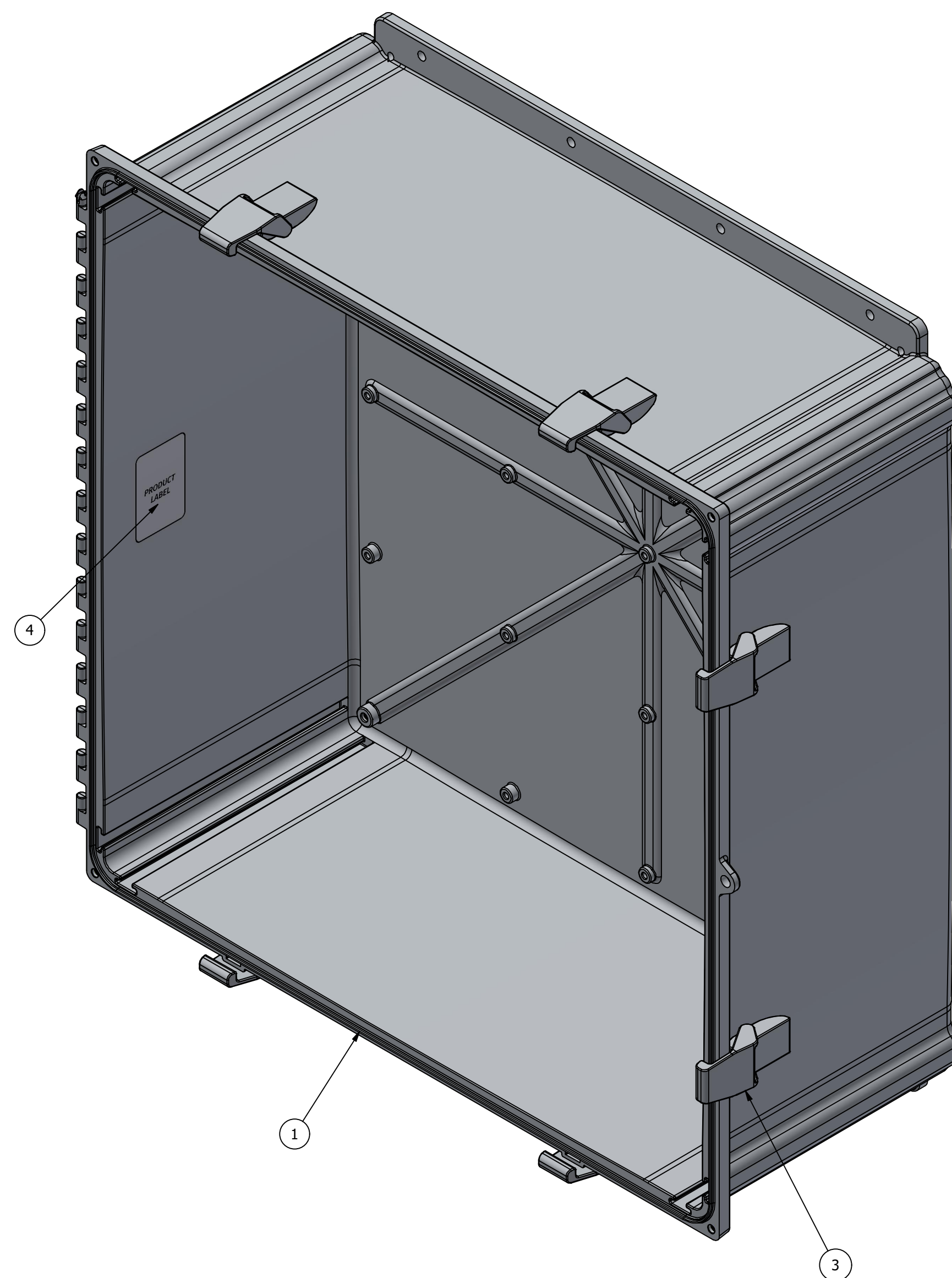
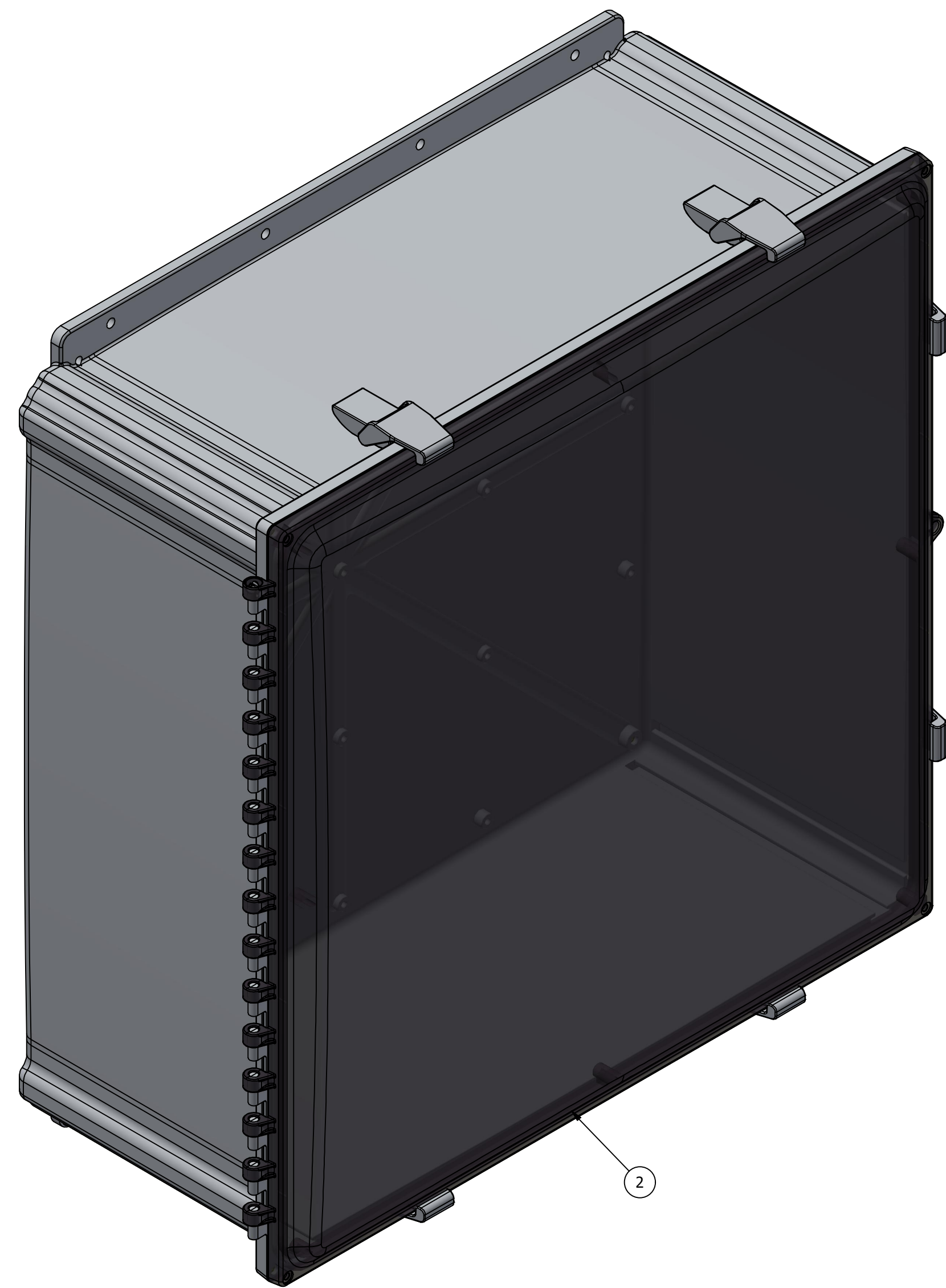
THE INFORMATION CONTAINED IN THIS DRAWING IS THE SOLE PROPERTY OF ROBROY INDUSTRIES. ANY REPRODUCTION IN PART OR WHOLE WITHOUT THE WRITTEN PERMISSION OF ROBROY INDUSTRIES IS PROHIBITED. ALL RIGHTS RESERVED UNDER THE COPYRIGHT LAWS. COPYRIGHT © 2008, ROBROY INDUSTRIES. ROBROY INDUSTRIES VALUES AND PROTECTS ITS INTELLECTUAL PROPERTY. FOR MORE INFORMATION VISIT [www.robroy.com/patents](http://www.robroy.com/patents)

**SPECIAL REQUIREMENTS**  
**ASSEMBLY:**  
 1. SHPCACKITNOFT SHALL BE PACKAGED LOOSELY IN ENCLOSURE

NEMA 250 TYPE 1, 2, 3R, 4, 4X, 12		IEC 60529 IP66	STANDARD FIN: PC2424CC	ALL DIMENSIONS ARE IN INCHES UNLESS OTHERWISE SPECIFIED		TOLERANCES UNLESS SPECIFIED		XX ± 0.03	XXX ± 0.010												
COLOR: GRAY POLYCARBONATE		COLOR STANDARD: PANTONE 7541 C	CUSTOMER DWG:																		
MATERIAL: POLYCARBONATE																					
<table border="1"> <thead> <tr> <th colspan="4">REVISION HISTORY</th> </tr> <tr> <th>REV</th> <th>DESCRIPTION</th> <th>DATE</th> <th>ENG</th> </tr> </thead> <tbody> <tr> <td>1</td> <td>-</td> <td>-</td> <td>-</td> </tr> </tbody> </table>										REVISION HISTORY				REV	DESCRIPTION	DATE	ENG	1	-	-	-
REVISION HISTORY																					
REV	DESCRIPTION	DATE	ENG																		
1	-	-	-																		
DRAWN BY: JWH		DATE: 1/21/26		CUSTOMER:		DRAWING: PC2424CC															
SCALE: DO NOT SCALE		DESCRIPTION: STANDARD ENCLOSURE		PART NUMBER: PC2424CC																	

Robroy Enclosures  
 500 Maple Street  
 Belding, Michigan 48809  
 Phone: 616-794-0700  
 Fax: 616-749-3378

8 7 6 5 4 3 2 1



BACK SIDE

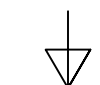
PARTS LIST			
ITEM	QTY	PART NUMBER	DESCRIPTION
1	1	WP2424FLGHOLE	DRILLED FLANGE 24X24X10 POLYCARBONATE BOX
2	1	WPPC242410U	GASKETED 24X24 POLYCARBONATE COVER
3	1	RMAHLATCH-001	PC AH LATCH - GRAY
9	1	RMLABBLANK3X2	100020 BLANK LABEL
8	1	RMLABBLANK4X3	100005 BLANK LABEL
4	1	WPPCACCKITNOFT	ACCESSORY KIT
5	1	RMCTN25522	CARDBOARD BOX FOR PC2424CC
6	1	SHPCACCKITNOFT	POLYCARBONATE ACCESSORY NO FOOT KIT
7	1	RMINSTGBL	GROUNDING INSTRUCTION SHEET

THE INFORMATION CONTAINED IN THIS DRAWING IS THE SOLE PROPERTY OF ROBROY INDUSTRIES. ANY REPRODUCTION IN PART OR WHOLE WITHOUT THE WRITTEN PERMISSION OF ROBROY INDUSTRIES IS PROHIBITED. ALL RIGHTS RESERVED UNDER THE COPYRIGHT LAWS. COPYRIGHT © 2005, ROBROY INDUSTRIES. ROBROY INDUSTRIES VALUES AND PROTECTS ITS INTELLECTUAL PROPERTY. FOR MORE INFORMATION VISIT [www.robroy.com/patents](http://www.robroy.com/patents)

**SPECIAL REQUIREMENTS**

NEMA 20: TYPE 1, 2, 3R, 4, 4X, 12	IEC 60529: IP66	STANDARD FIN: PC2424CC	ALL DIMENSIONS ARE IN INCHES UNLESS OTHERWISE SPECIFIED	TOLERANCES UNLESS SPECIFIED	XX ± 0.03	XXX ± 0.010
COLOR: GRAY POLYCARBONATE	COLOR STANDARD: PANTONE 7541 C	CUSTOMER DWG:				
MATERIAL: POLYCARBONATE						
DRAWN BY: JWH		DATE: 1/21/26	CUSTOMER:		DRAWING: PC2424CC	
SCALE: DO NOT SCALE		DESCRIPTION: STANDARD ENCLOSURE		PART NUMBER: PC2424CC		

Robroy Enclosures  
500 Maple Street  
Belding, Michigan 48809  
Phone: 616-794-0700  
Fax: 616-749-3378



6

5

4

3

2

1