

Enclosures N Series Freestanding Control Tower

## Fiberglass Enclosure 72 x 72 x 12 Inches N Series Large Freestanding Double Door with Stainless Steel Hinged, Latched Opaque Cover

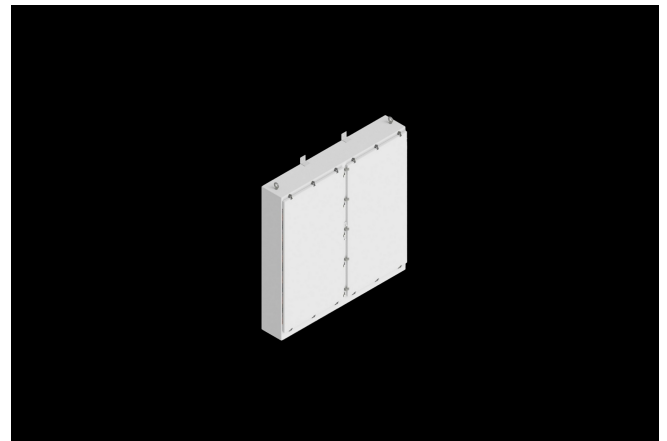


**Catalog Number** N727212FSDDHWT

**UPC** 785928381997

### DESCRIPTION

72H x 72W x 12D Inches N Series Double Door Freestanding Fiberglass Enclosure with an "HWT" Opaque Cover (Type 4X, Stainless Steel Hinged, Latched Down) is designed to accommodate electrical, electronic, instrumentation and mechanical controls indoors and outdoors where corrosion resistant watertight enclosures are needed to provide protection against windblown dust and rain, splashing and hose directed water. The "N" designation reflects a NEMA range series of large capacity enclosures.



### APPLICATION

- Designed to accommodate electrical; electronic; instrumentation and mechanical controls
- Double door design is perfect for tight areas vs. a larger single door
- Provides protection against windblown dust and rain; splashing; and hose-directed water
- Ideal for high temperature ranges and corrosion resistance when used in oil fields; mining; oil platforms; water/wastewater and general processing controls
- Maximize available space for electrical; hydraulic; or mechanically controlled circuits

## FEATURES

---

- Opaque Cover
- Fiberglass reinforced; polyester material
- Memory retaining; polyurethane gasket
- Integral mounting feet
- Glassed in enclosure lifting rings and panel mounting studs
- 304 stainless steel hardware
- Molded-in panel mounting inserts or studs
- High temperature; flame retardant; noncorrosive; environmental designs
- Padlockable
- Manufactured with SolarGuard®, Stahlin's proprietary formulation of non-halogenated fiberglass, offering superior resistance to outdoor exposure, chemicals and flames.
- Back Panels Available for all sizes

## General Information

---

Color	Gray
Cover Type	Opaque
Mounting Type	Freestanding
Material	Fiberglass
Back Panel Screw Size	3/8-16 Stud
Back Panel Recommended Torque	28-32 in-lbs
Metal Inserts	304 SS
Hinge Material	304 SS
Latch Material	304 SS
Gasket Material	Neoprene PORON strip
Country of Origin	USA

## DIMENSIONS

Height (in)	72.5
Width (in)	72.5
Depth (in)	13.4
Height (mm)	1,841.5
Width (mm)	1,841.5
Depth (mm)	339.9
Usable Depth (in)	12.0
Usable Depth (mm)	304.8

## STANDARDS

NEMA 10250; UL 50; UL 50e; UL508A	cULus Listed File #E64358
CSA Std. C22.2	cULus Listed File #E64358
Type	1; 3; 3R; 4; 4X; 12
IEC 60529; UL Listed #E362920	IP66
Temperature Range °F	-76°F to +274°F
Temperature Range °C	-60°C to +134°C
IEC 62262 Impact Rating Listed	IK10 per File #E362920
Flammability Rating	UL94-5VA
NFPA No. 101 Flame Spread	Class A(1)
Outdoor Exposure UL746c	(f1) Rated
CE	Certified